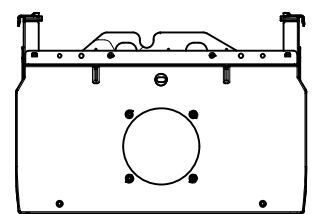
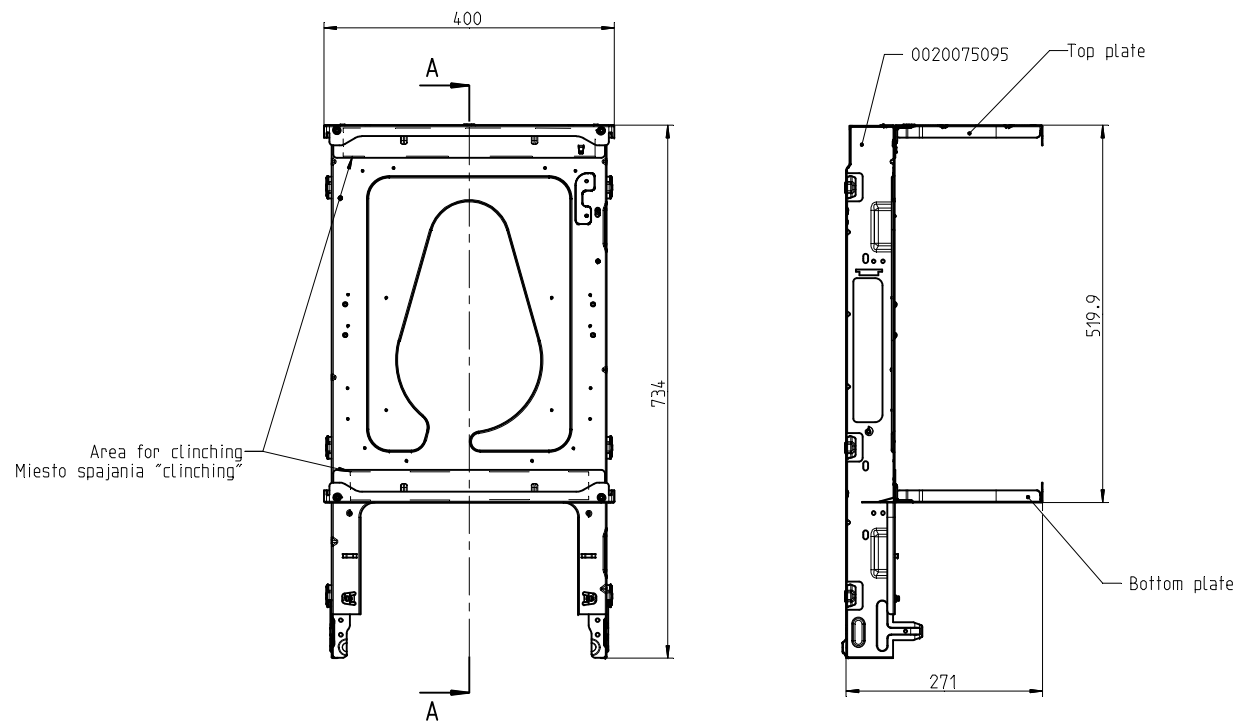
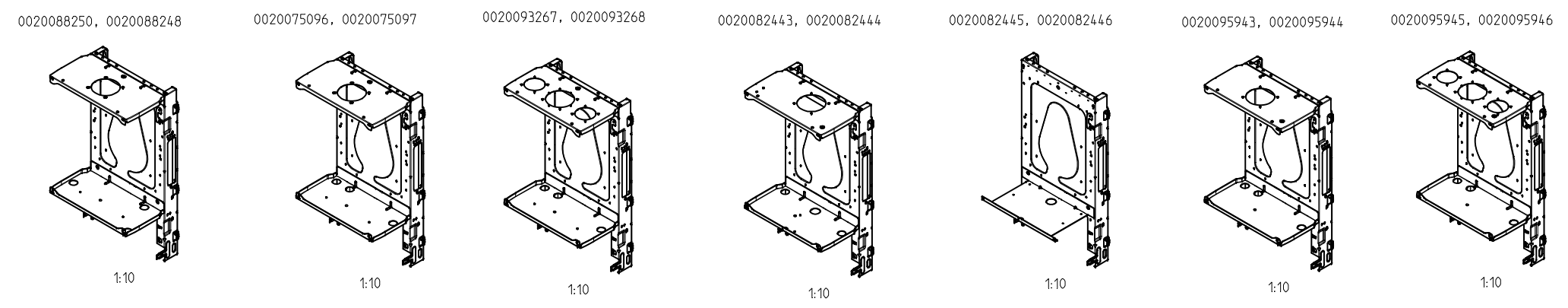


No	Location	site	Description of modification	Date	Modified by	Checked by	Approved by	Rev.
1	table	NA	Corrected table twintlue frames set in production status	22/06/10	Egul	Tslo	Rbol	3.0
-	-	-	-	-	Spa	Spa	Spa	-
-	-	-	-	-	Spa	Spa	Spa	-



part 0020075096



	DRAW_TITLE_E	DRAW_TITLE_L	SURF_TREATMENT	REMARKS	SURFACE_DM2	Top plate	Bottom plate	Status
0020088250	Frame, back, cpl, white I	Ram, zadny, klp., biely. I	painted	white, ST 0020084715	104	0020008852	4000140115	Production
0020088248	Frame, back, cpl, raw I	Ram, zadny, klp., nelak. I	-	-	104	0020008852	4000140115	Production
0020093267	Frame, back, cpl, raw III	Ram, zadny, klp., nelak. III	-	-	104	0020087591	0020073823	Production
0020093268	Frame, back, cpl, white III	Ram, zadny, klp., biely III	painted	white, ST 0020084715	104	0020087591	0020073823	Production
0020082443	Frame, back, cpl, raw IV	Ram, zadny, klp., nelak. IV	-	-	104	0020077734	0020077732	Production
0020082444	Frame, back, cpl, white IV	Ram, zadny, klp., biely IV	painted	white, ST 0020084715	104	0020077734	0020077732	Production
0020082445	Frame, back, cpl, raw V	Ram, zadny, klp., nelak. V	-	-	87	-	0020077733	Production
0020082446	Frame, back, cpl, white V	Ram, zadny, klp., biely V	painted	white, ST 0020084715	87	-	0020077733	Production
0020095943	Frame, back, cpl., raw VI	Ram, zadny, kpl., nelak. VI	-	-	104	0020093274	0020093276	Production
0020095944	Frame, back, cpl, white VI	Ram, zadny, klp., biely VI	painted	white, ST 0020084715	104	0020093274	0020093276	Production
0020095945	Frame, back, cpl., raw VII	Ram, zadny, kpl., nelak. VII	-	-	104	0020093275	0020093276	Production
0020095946	Frame, back, cpl, white VII	Ram, zadny, klp., biely VII	painted	white, ST 0020084715	104	0020093275	0020093276	Production
0020075097	Frame, back, cpl, white II	Ram, zadny, klp., biely II	painted	white, ST 0020084715	104	0020008852	0020073823	Production
0020075096	Frame, back, cpl, raw II	Ram, zadny, klp., nelak. II	-	-	104	0020008852	0020073823	Production

NOTA : : Cote fonctionnelle / Functional dimension

This Drawing is only valid with following specification

Title: -	Material: -	Specification no.: -
Material no.: -	Material: -	Surf.treatment: see table
Remarks/Colour: see table		
Drawing title: Frame, back, cpl, raw	No. of curr.: 1021131	Weight: 3,48 kg
Local: -	Modification: 0020075096	Draw.rev.: 3.0
Date: 09/02/10	Name: Egal	Signature: [Signature]
Checked by: 09/02/10	Name: Tslo	Signature: [Signature]
Appr-by: 09/02/10	Name: Rbol	Signature: [Signature]
1st Release document no.: 1017748	Model no.: 0020075096	Model title: Frame, back, cpl
1st Release document no.: 1017748	Model status: Production	Model title: Frame, back, cpl
Geometrical tolerances according to ISO 2768 - m	Scale: 1:5	Format: A1
Tolerances unless otherwise specified: ISO 2768 - K	Projection:	Sheet: 1/1
Replaces: -		

VAILLANT GROUP
Saurier Duval
Eau Chaude Chauffage
Industrie SA
77, Rue de la Petite Baraille
44310 NANTES CEDEX 3
France
Phone: 00-33-(0)2.40.68.10.10
Fax: 00-33-(0)2.40.68.10.40

Toutes les versions précédentes de ce document sont invalides et doivent être détruites ou clairement porter la mention "supercedé".

Ce Document est la propriété de Saurier Duval et ne peut être reproduit ou communiqué sans son autorisation - Tous droits Réserveés.